

LAZER

HIGH PERFORMANCE LIGHTING



SINGLE LAMP MOUNTING KIT

FITTING INSTRUCTIONS

ANLEITUNG

INSTRUCTIONS

INSTRUCCIONES

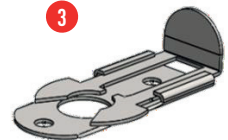
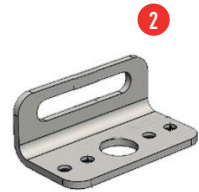
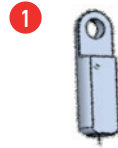
WHAT'S INCLUDED

PARTS

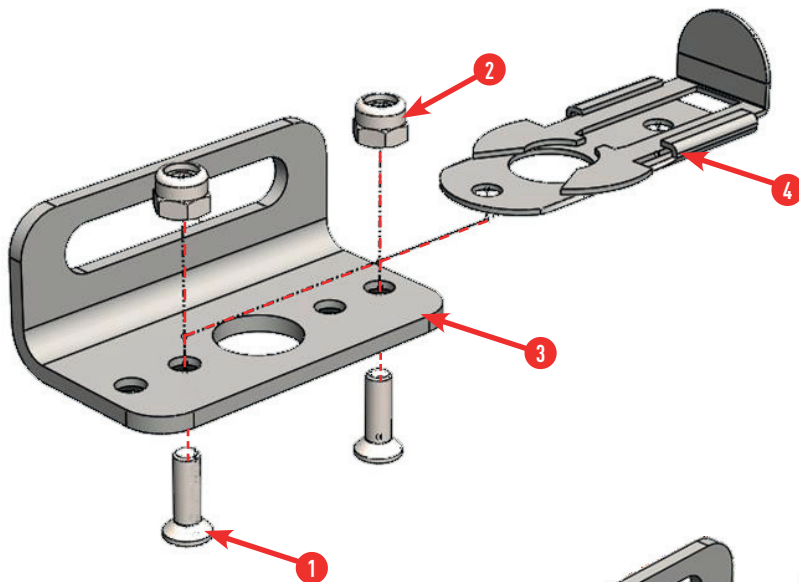
1. 8x ROD END
2. 4x DZUS BASE
3. 4x DZUS CONNECTOR
4. 4x DZUS CONNECTOR PIN

FASTENERS

- 2x M6x70 STUD
- 2x M6x120 STUD
- 6x M6x20mm Bolt
- 4x M6 Nyloc Nut
- 8x M6 Hex Nut
- 2x M6x20 Washer
- 4x M6x12 Washer
- 8x M3x8 CSK Screw
- 8x M3 Nyloc Nut
- 4x M4x20 Screw
- 4x M4 Nylock Nut
- 8x M4 Washer

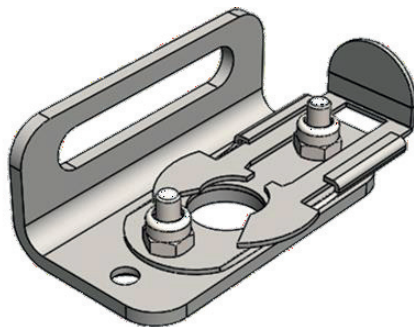


STEP 1: MOUNTING BASE ASSEMBLY

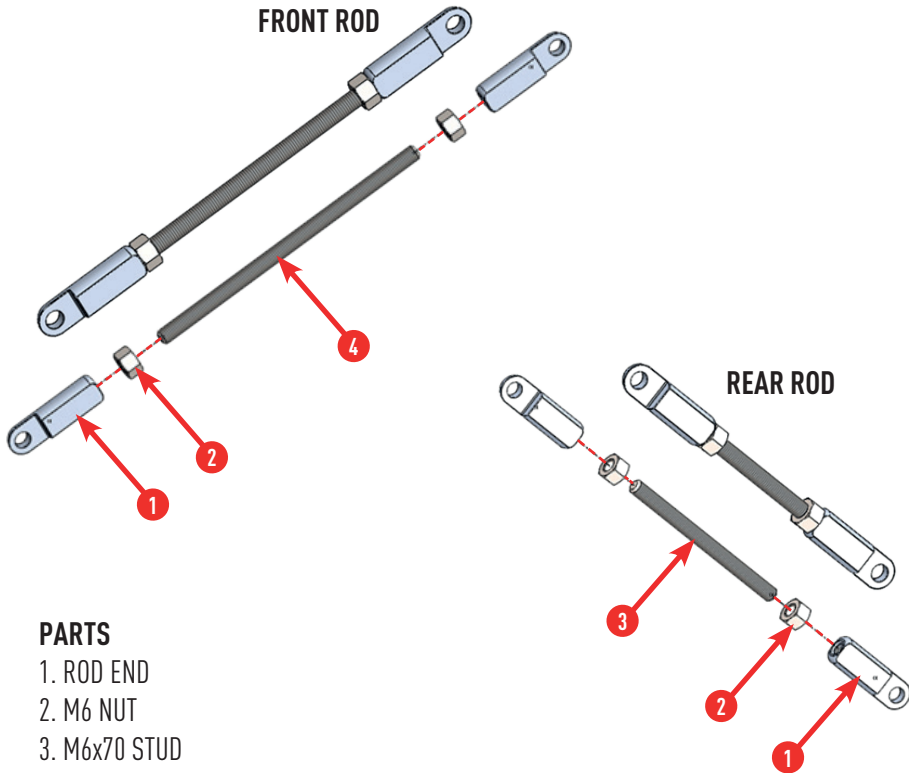


PARTS

1. M3x8 CSK SCREW
2. M3 NYLOC NUT
3. DZUS BASE
4. DZUS CONNECTOR



STEP 2: MOUNTING ROD ASSEMBLY



PARTS

1. ROD END
2. M6 NUT
3. M6x70 STUD
4. M6x120 STUD

STEP 3: MOUNTING ARM ASSEMBLY

PARTS

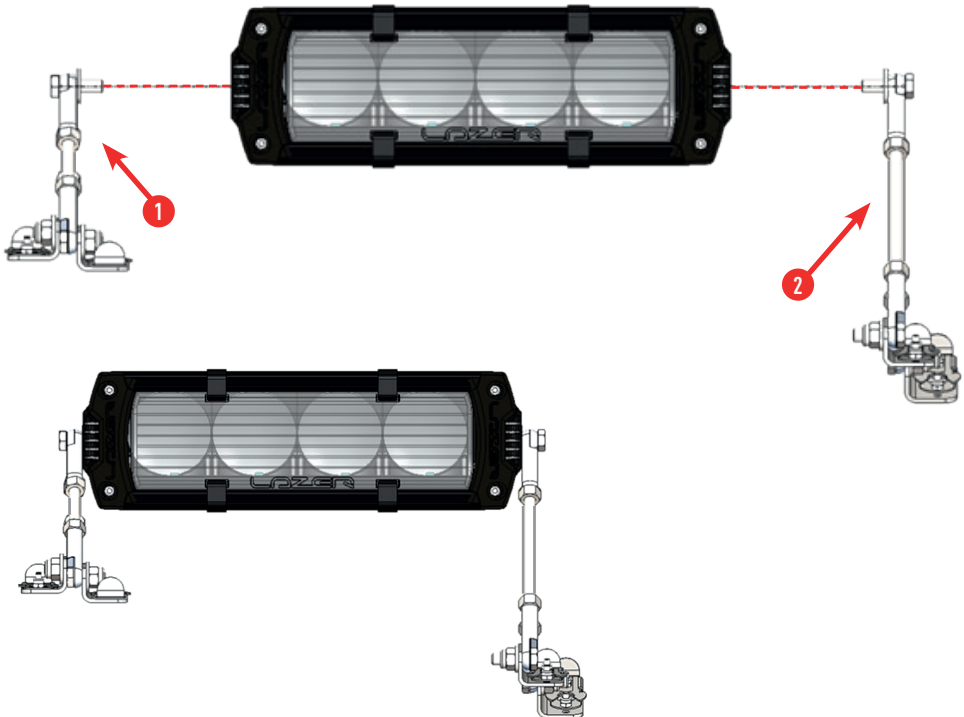
1. M6 NYLOC NUT
2. M6x20 PENNY WASHER
3. M6x12 WASHER
4. M6x20 HEX BOLT



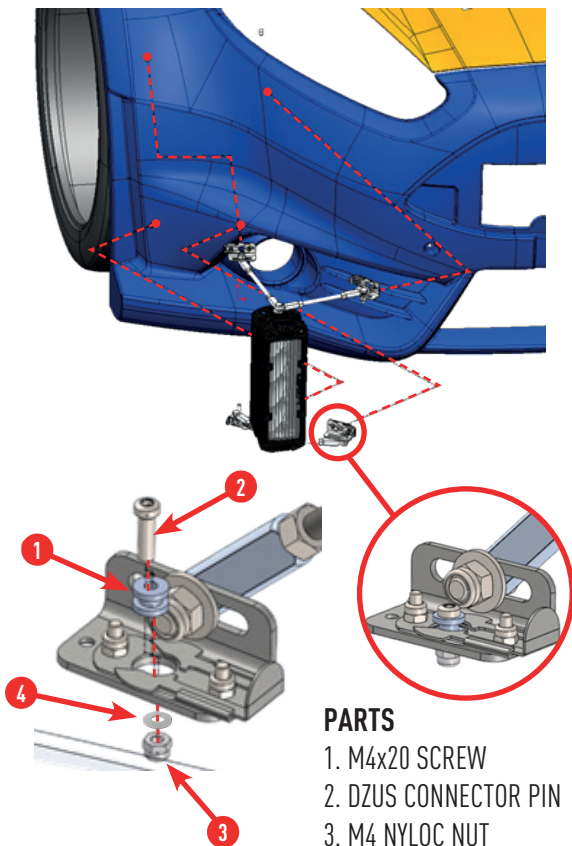
STEP 4: FINAL ASSEMBLY

PARTS

1. LEFT HAND MOUNTING ARM
2. RIGHT HAND MOUNTING ARM

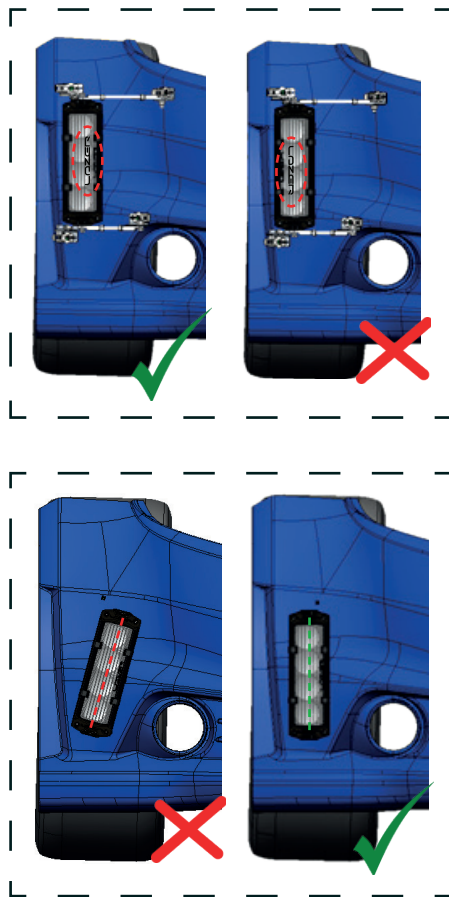


STEP 3: VEHICLE INSTALL



PARTS

1. M4x20 SCREW
2. DZUS CONNECTOR PIN
3. M4 NYLOC NUT
4. M4 WASHER



Thank you for choosing a Lazer Lamps product.
Vielen Dank dafür, dass Sie sich für ein Produkt von Lazer Lamps entschieden haben.
Merci pour choisir un produit de Lazer Lamps.
Gracias por la seleccion de productos de Lazer Lamps.

LAZER
HIGH PERFORMANCE LIGHTING

T: +44 (0)1992 677374

E: SALES@LAZERLAMPS.COM

W: WWW.LAZERLAMPS.COM

Lazer Lamps Ltd, Units 1&2 Harlow Mill Business Centre, Riverway, Harlow,
Essex. CM20 2FD. United Kingdom



MADE IN THE UK



/LAZERLAMPS



/LAZERLAMPS